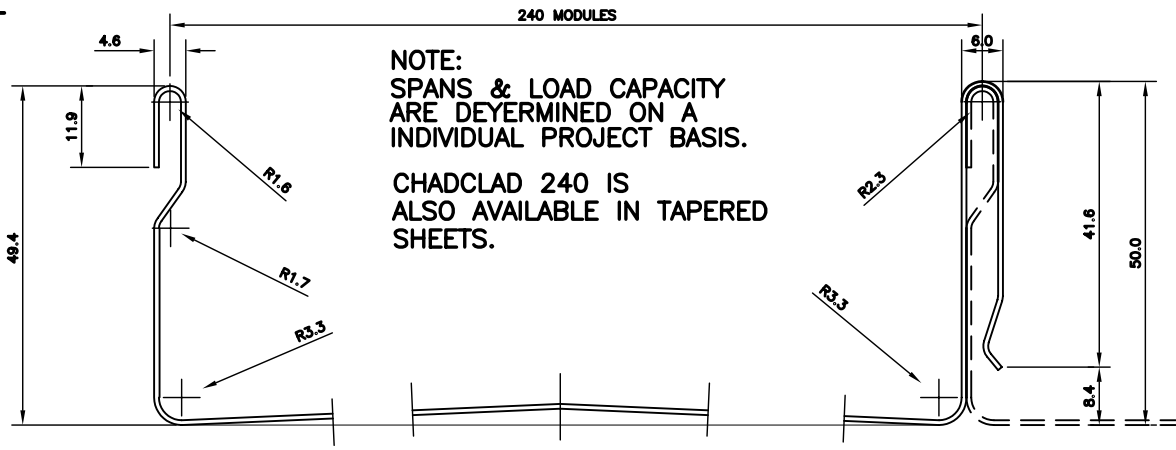
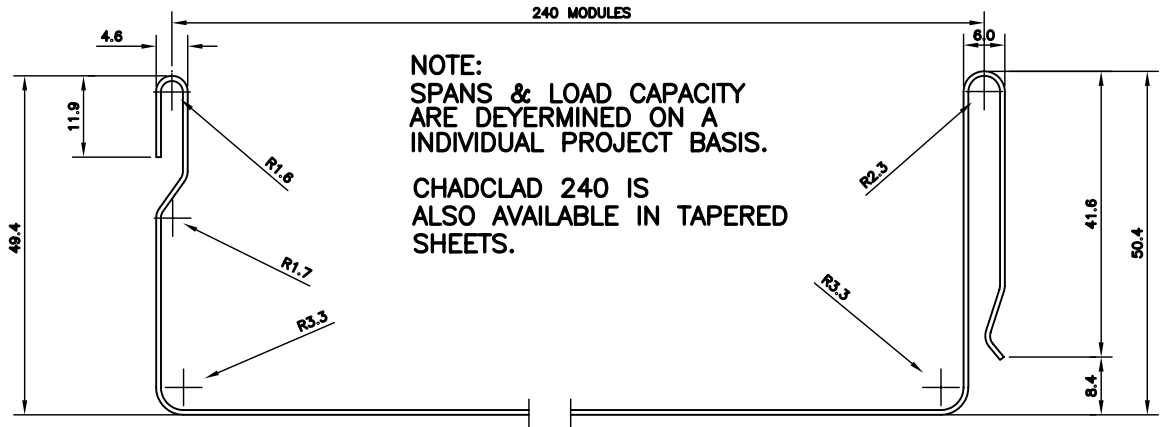


**PRODUCT**



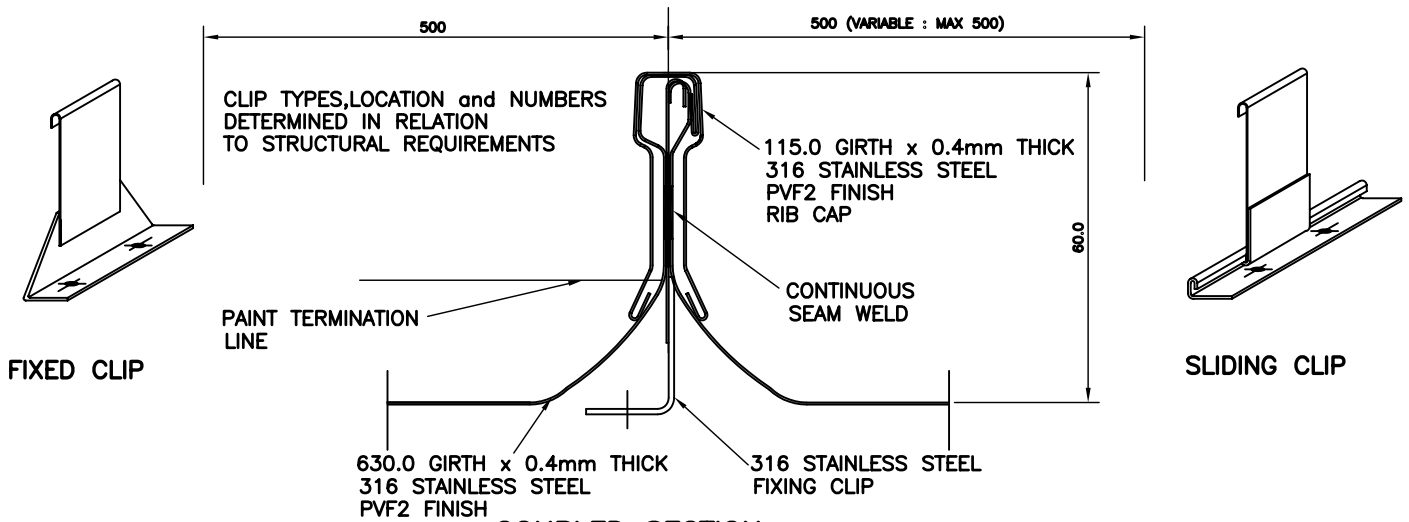
MATERIAL: ZINCALUME STEEL 0,60, 0,70, 0,80mm  
COLORBOND STEEL 0,60, 0,70, 0,80mm  
STAINLESS STEEL 0,50, 0,60mm

**CHADCLAD 240 "V" PROFILE.**



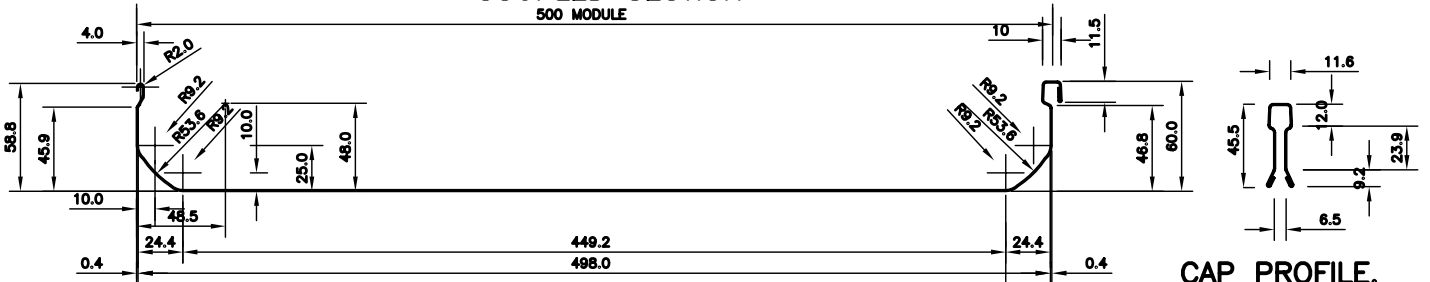
MATERIAL: ZINCALUME STEEL 0,60, 0,70, 0,80mm  
COLORBOND STEEL 0,60, 0,70, 0,80mm  
STAINLESS STEEL 0,50, 0,60mm

**CHADCLAD 240 PROFILE.**



**COUPLED SECTION**

500 MODULE



**CAP PROFILE.**

**IMPORTANT NOTE:**  
THIS PROFILE IS FOR A FULLY "SEAM WELDED"  
SYSTEM.  
SUITABLE ONLY FOR STAINLESS STEEL.

**CHADCLAD KL 500**

0,40, 0,50, 0,60mm 316 GRADE  
STAINLESS STEEL (MILL OR  
PAINTED FINISH