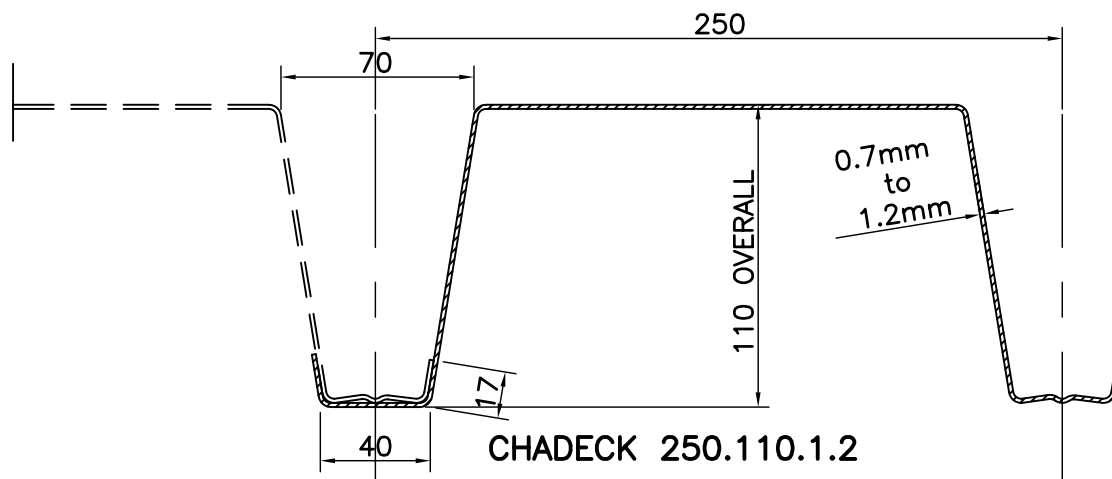


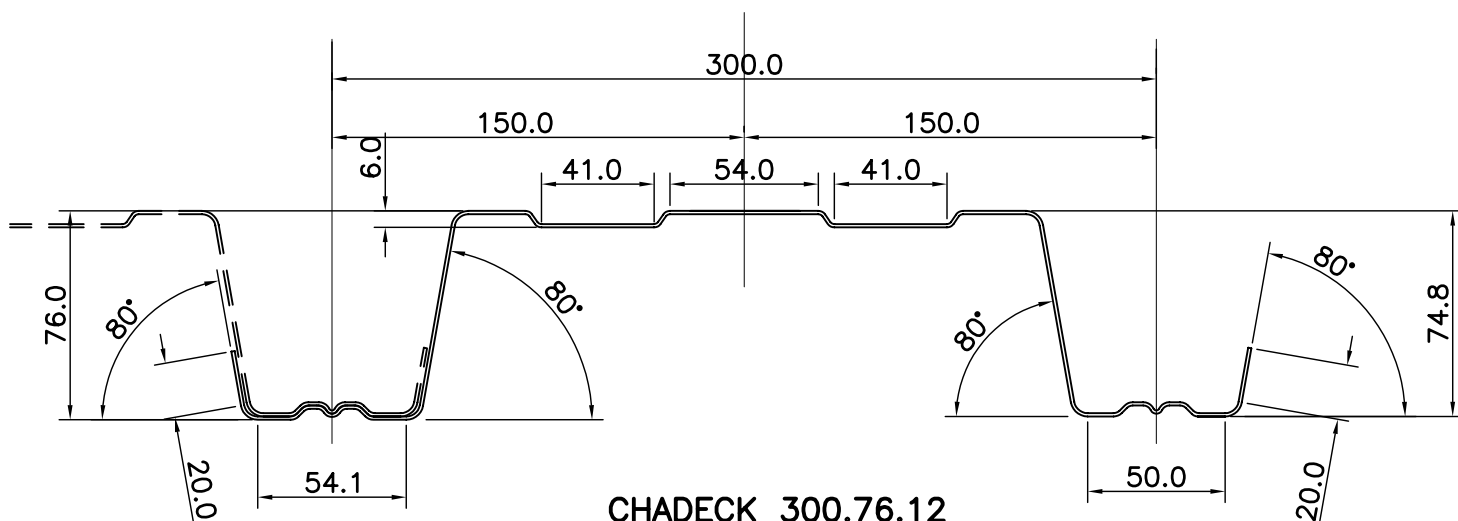
**COMPOSITE CHADECK.
CEILING/ROOFING COMPONENT**

NOTE:-
ALL DIMENSIONS MAY VARY DEPENDING ON:
1) LOAD CONDITIONS (WIND, DEAD & LIVE)
2) SINGLE or CONTINUOUS
3) STEEL or ALUMINIUM



CHADECK 250.110.1.2

METAL DECK MAY BE FINISHED WITH ZINCALUME CORROSION PROTECTION and 'COLORBOND XRW' PAINT. MANUFACTURED FROM G300 STEEL



CHADECK 300.76.12

1.2mm THICK GALVANISED METAL DECK x 76mm HIGH

METAL DECK MAY BE FINISHED WITH ZINCALUME CORROSION PROTECTION and 'COLORBOND XRW' PAINT. MANUFACTURED FROM G300 STEEL

NOTES:
MATERIAL: G300
FINISH: ZINC COATED Z275
TOLERANCE: WIDTH ± 1.00 mm
LENGTH ± 6.00 mm